



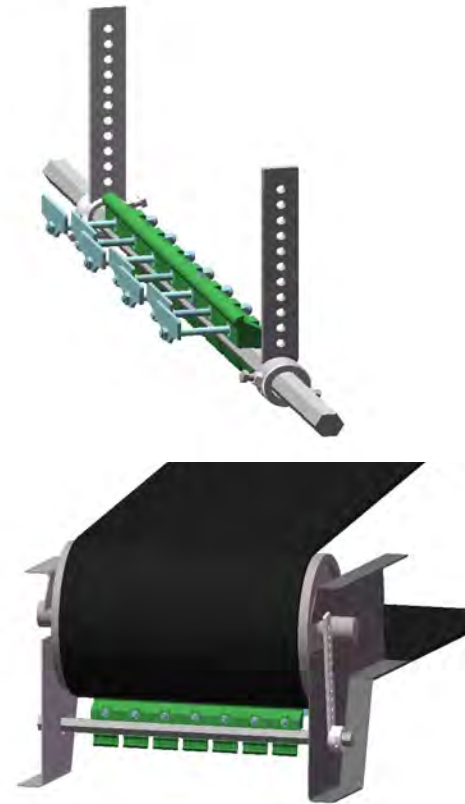
STARCLEAN® -Ecoline Belt Scrapers

The STARCLEAN® Belt Scraper for an exceptional price

Type 140.52n and 140.52s

Special Characteristics include:

- Use of the proven scraper blade technology with Twist-Swing® Feature
- Blades made of special wear resistant steel
- Compact design
- Tensioning via scale with a 36mm wrench
- Flexible installation possibilities, low space requirements
- Overlapping blades for perfect cleaning over the entire belt width
- Compatible with Segments type 50,55,56
- Extremely belt-saving because of pulling working direction
- Unreached cleaning results in the lower cost segment
- Long lifespan due to optimised contact force
- Available for belt widths from 400mm to 1000mm
- Special, patented design „S“ available with integrated pre-cleaner



Proven STARCLEAN® Technology at an unbeatable Price!



Conveyor Belt Scrapers for Industry and Mining
safe, clean, reliable



F.E. Schulte Strathaus GmbH & Co. KG
Runtestraße 42
59457 Werl

Fon +49(0)2922/97 75-0
Fax +49(0)2922/97 75-75
info@schulte-strathaus.de
www.schulte-strathaus.de

